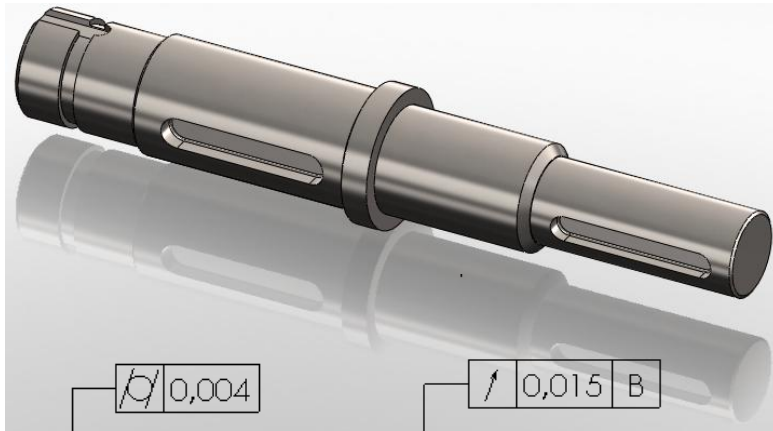


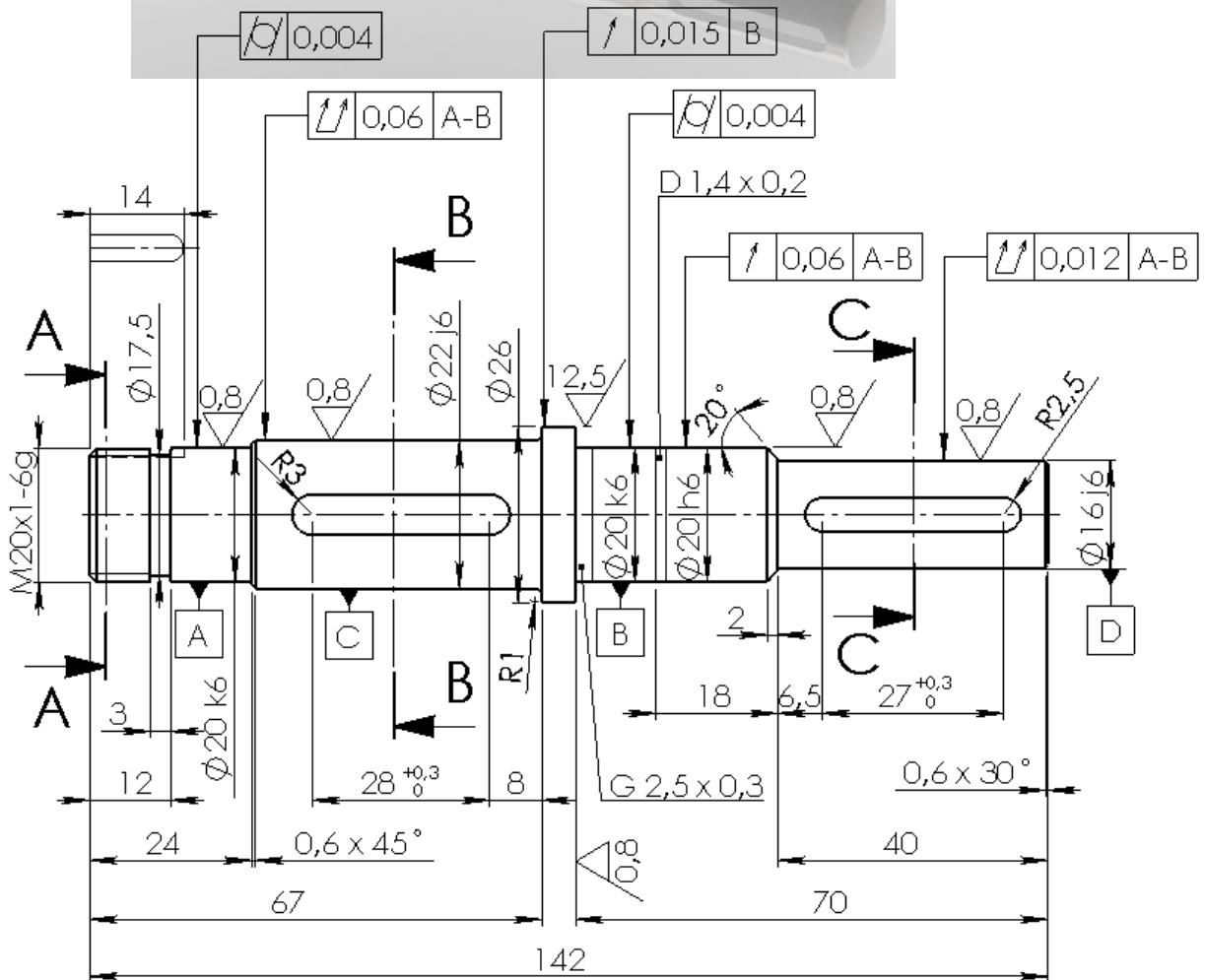


SHAFT

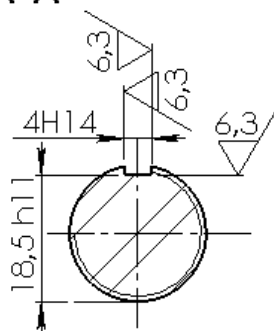
Create independently drawing of the shaft by the pictured model .



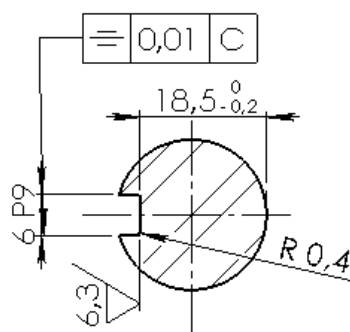
3,2/ (✓)



A-A



B-B



C-C

