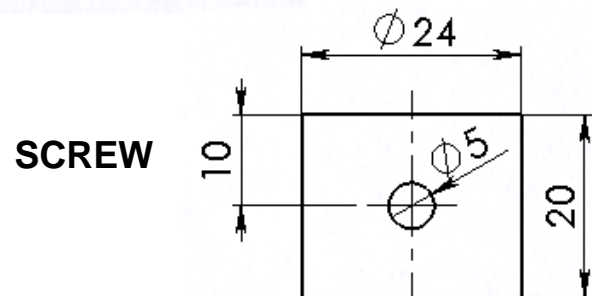
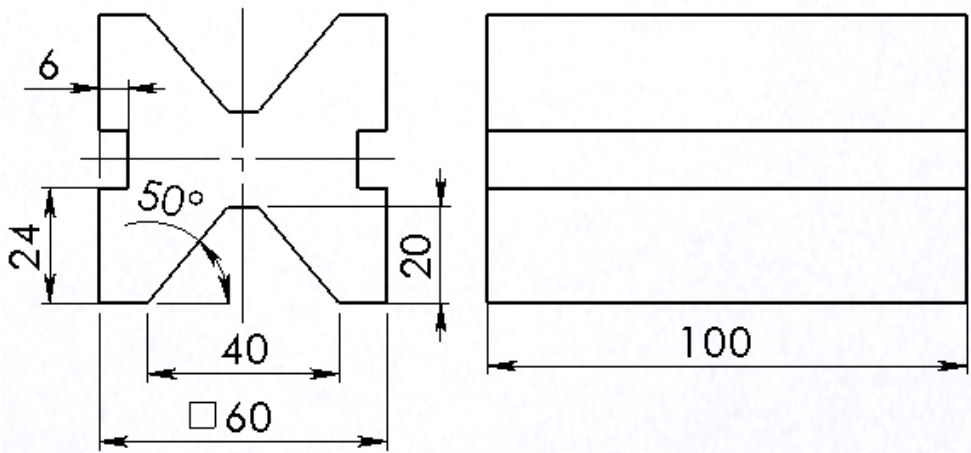


PRISMATICAL FASTENING JIG

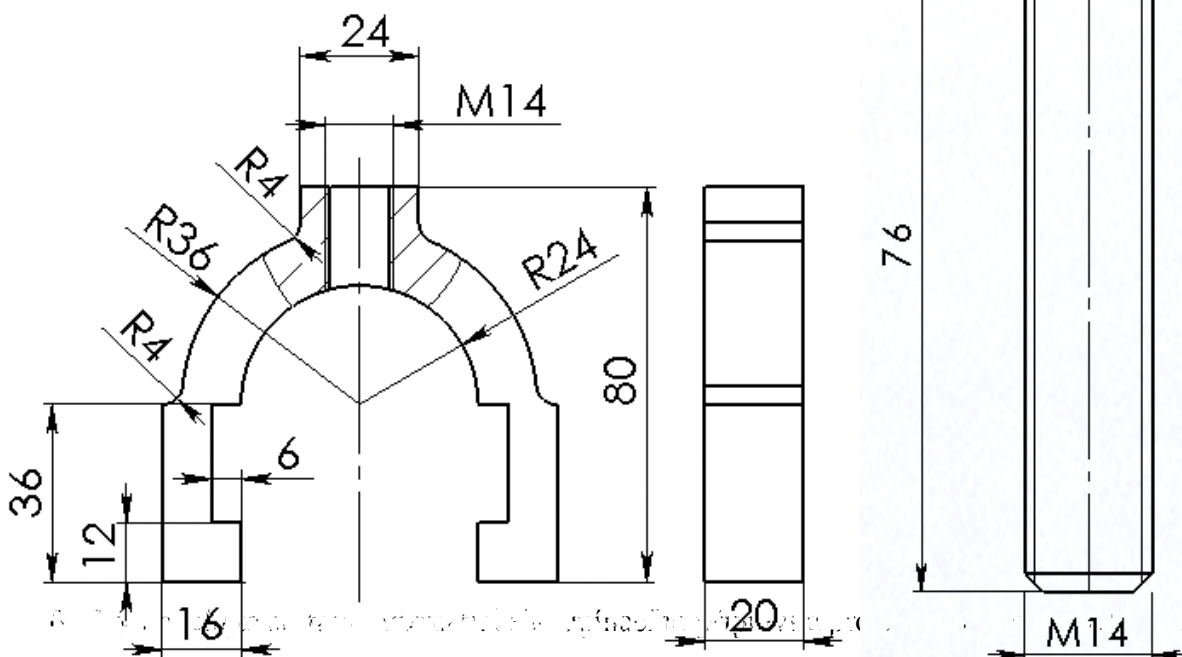


- A. On the disk P make folder with name **Prismatical fastening jig**.
Create particular body parts by designing patterns. Save to folder of sets.

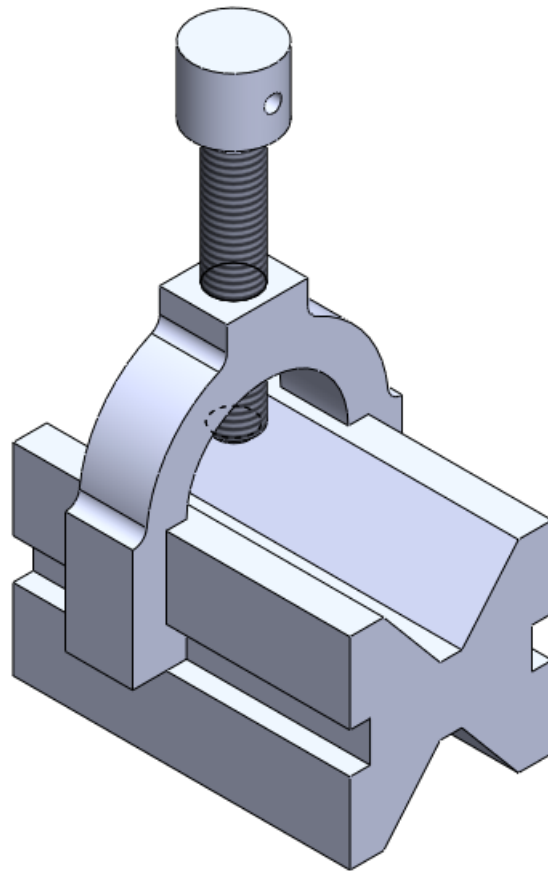
PRISMATICAL CUBE



SHACKLE



You will make the set by gradual adding particular body parts and linkages.



C. Make moving assembling scheme with help of command **Dismantled view**. Animate taking apart and assembling parts.

