

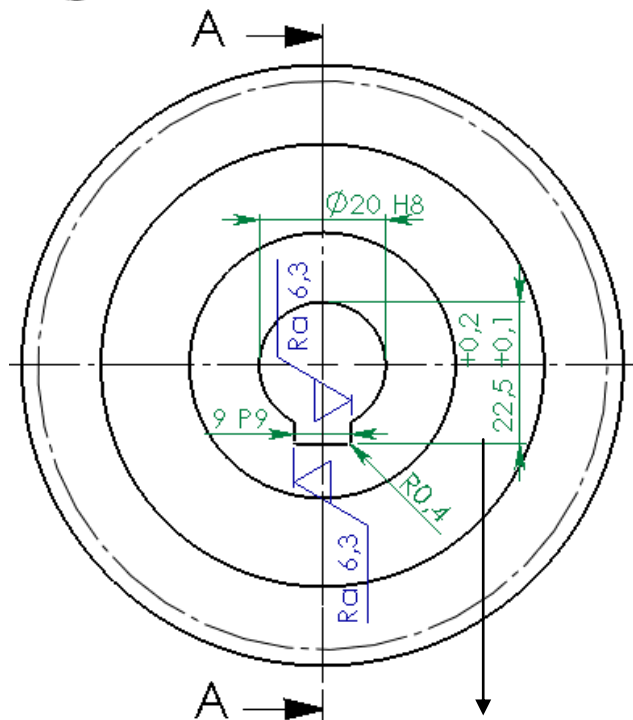
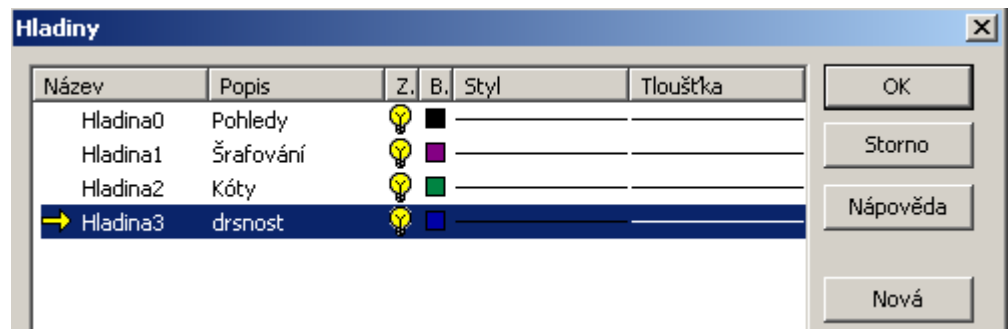
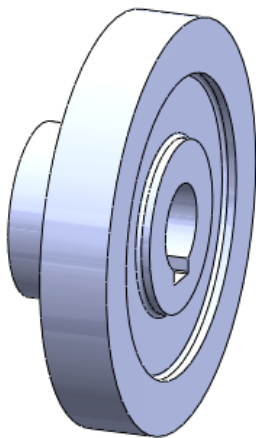


GEARWHEEL

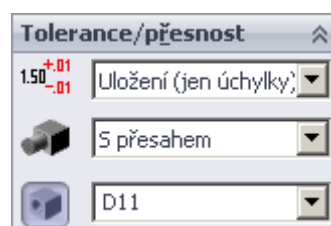
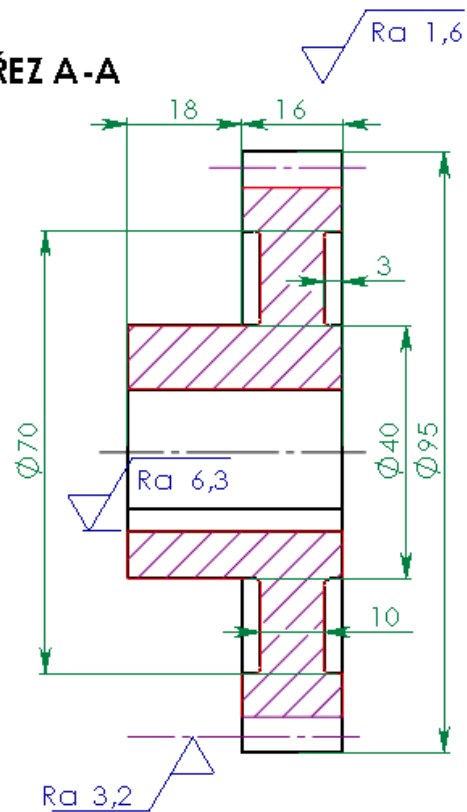
Create model of gearwheel. Suppress tothing. Material of gearwheel is steel used for cementing Wheel is quenched to HRC 62 ± 2. . Modul of the gearwheel is  $m = 2,5$  and number of teeth is 36. Other parameters you have to count.

Make drawing of gearwheel in 4 levels ( surfaces). Display the gearwheel in rectangular reflecting. Add tolerance and surface roughness.

There are three ways of drawing gearwheels in parametrical modelers. Choose the best of these ways.



ŘEZ A-A



Do not forget to put adding stamp for gearwheels onto the drawing.