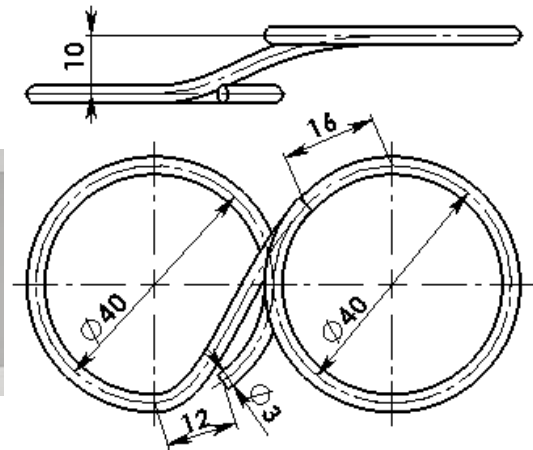
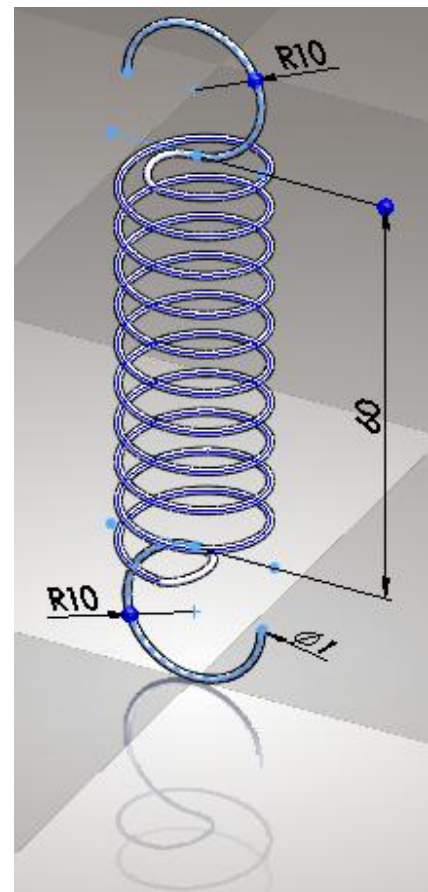
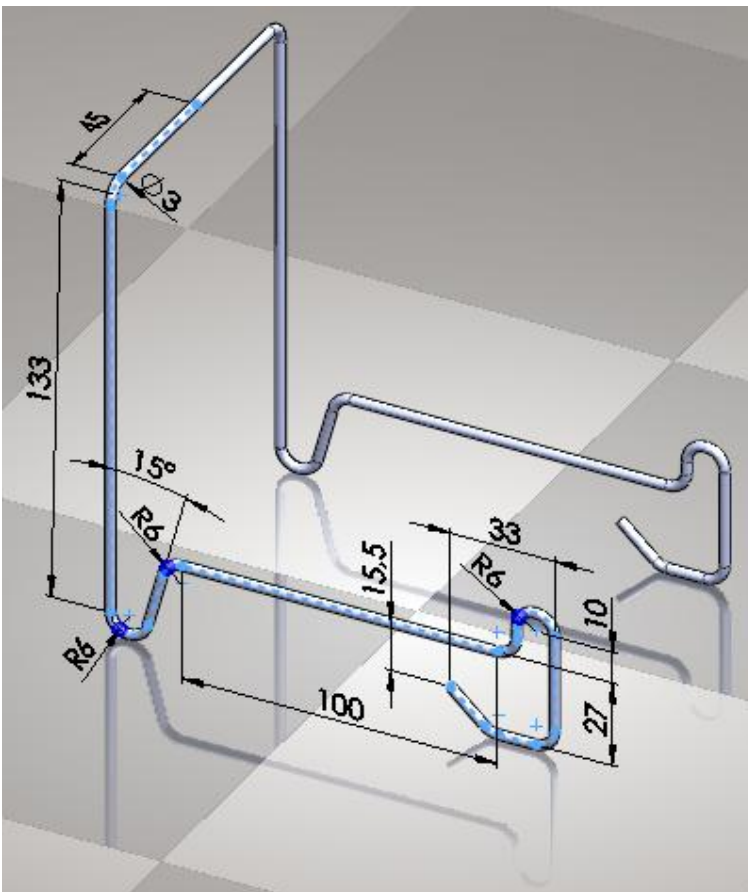


SAFETY CONNECTOR



STAND FOR DECORATIVE PLATE

One part make with help of 3D sketch and for the second part use reflection.



DRAFT SPRING

As helping sketches make 2D sketch of helix with diameter 20 mm and sketch of two draft loops. Both of them transfer into one 3D sketch. Each loop of the spring connect with the helix by “splajn”. It must be tangential to both entities. By the way you have made the line for drawing of circle profile.

Note:

If you have installed in your PC graphical card you can display background according to your choice from menu **Use effects** (scene).

