

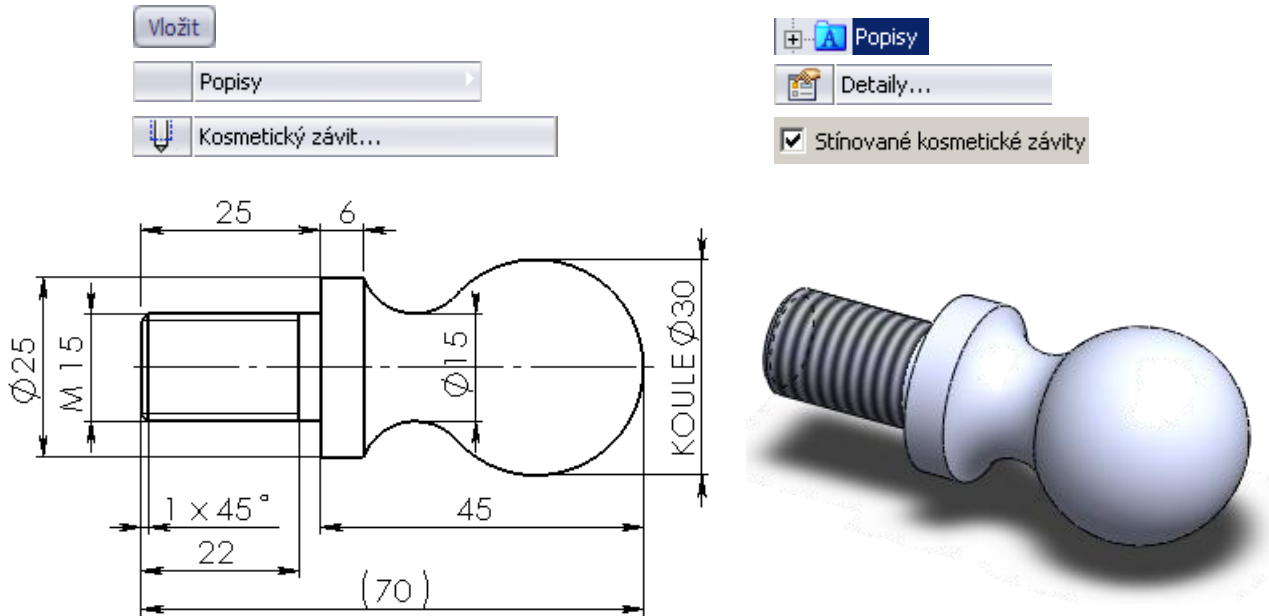
EXERCISE – SIMPLE ROTATION



Make independently rotational parts by drawing pattern.

THE PART OF CONNECTOR contains a cavity. Create it from one sketch.

HOLDER



PART OF CONNECTOR

