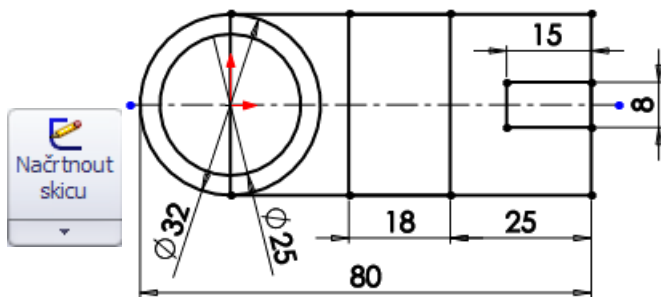
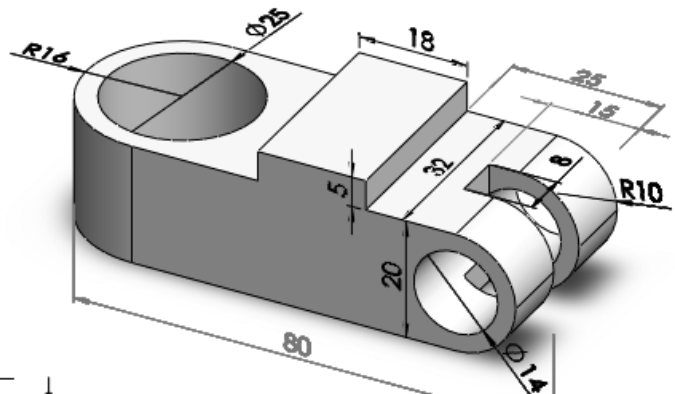


CREATING 3D MODEL BY PUUTING OUT FROM CLOSED OUTLINES

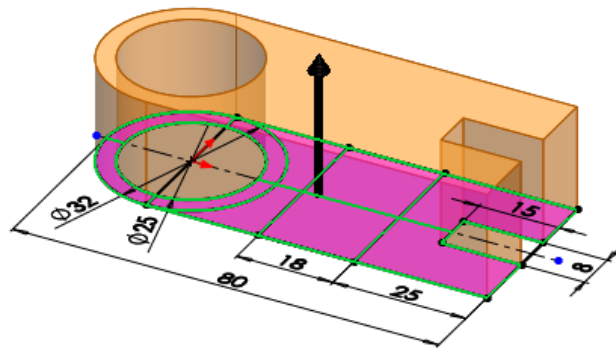
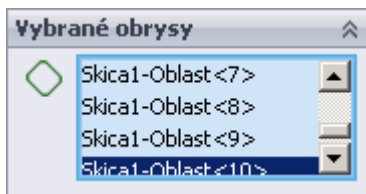
Task:

Use other method for creating the part. Draw the sketch, which enables putting out parts of the model from chosen and closed outlines in the same axis. It makes your work easier.

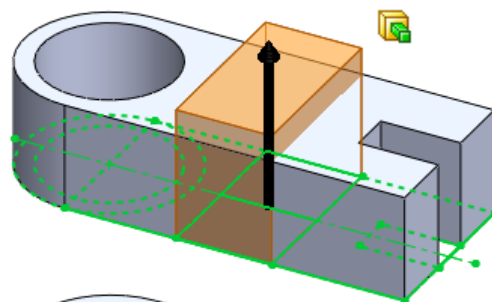
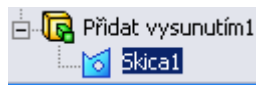


Technical procedure:

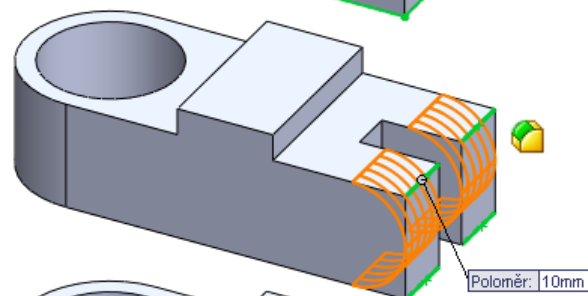
1) the first sliding from chosen outlines



2) the second sliding from chosen outlines



3) rounding



4) the sketch on the model surface + taking off

