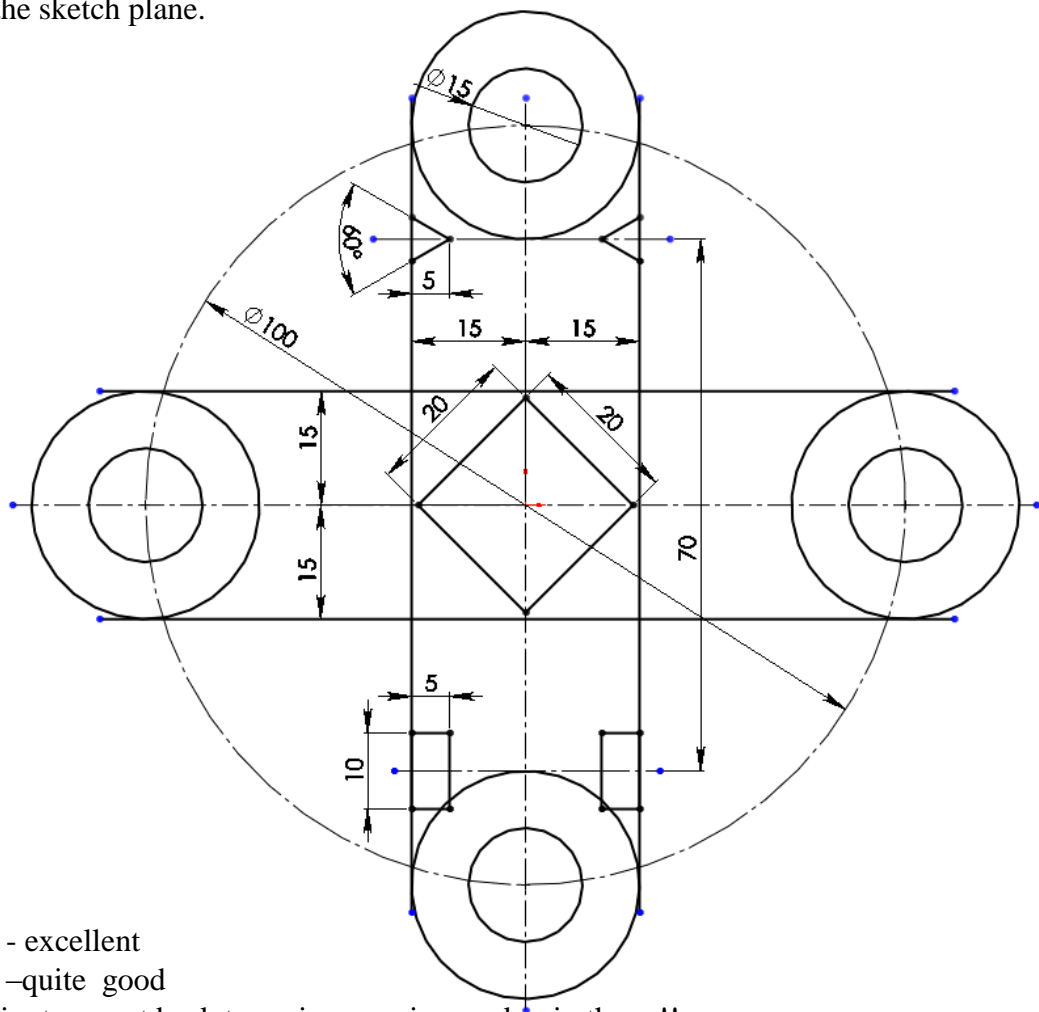
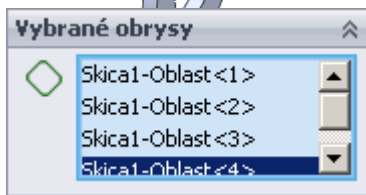
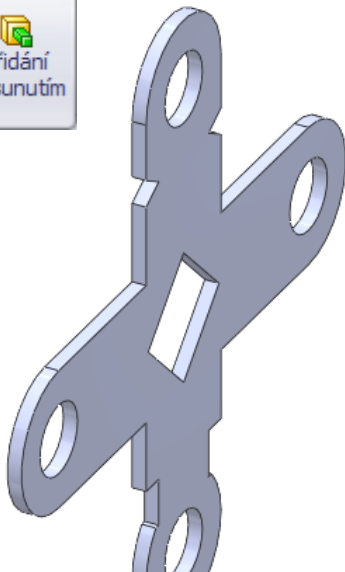
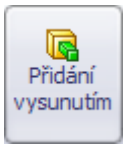




**THE CROSS WITH APERTURES ( OPENINGS)**

Create a part from closed outlines by the model. Copy entities by reflection.  
Slide the sketch 3 mm from the sketch plane.

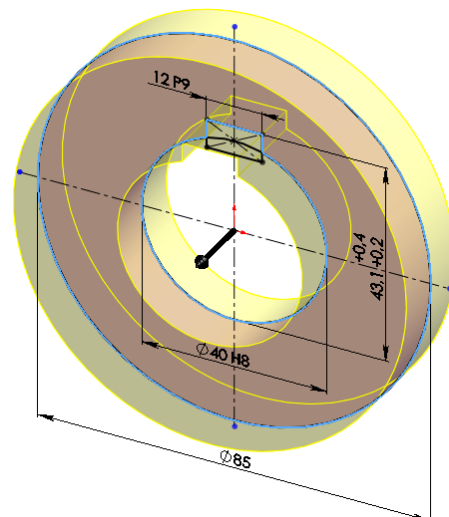
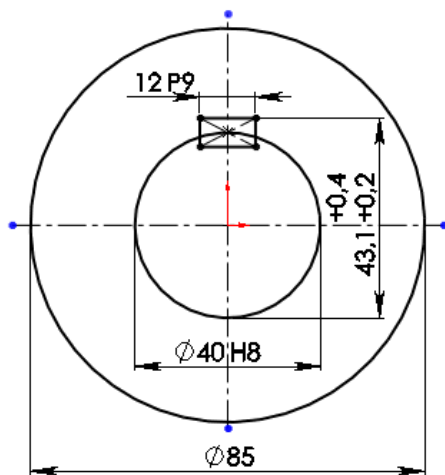
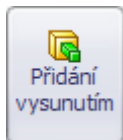


**Evaluation:**

- drawing into 15 minutes - excellent
- drawing into 25 minutes –quite good
- drawing more than 30 minutes – get back to easier exercises and train them !!

**THE HUB WITH TONGUE AND GROOVE JOINT**

Define tolerance of dimension in the way, the CAD system will be able to work with it.  
Thickness of the part is 20 mm.



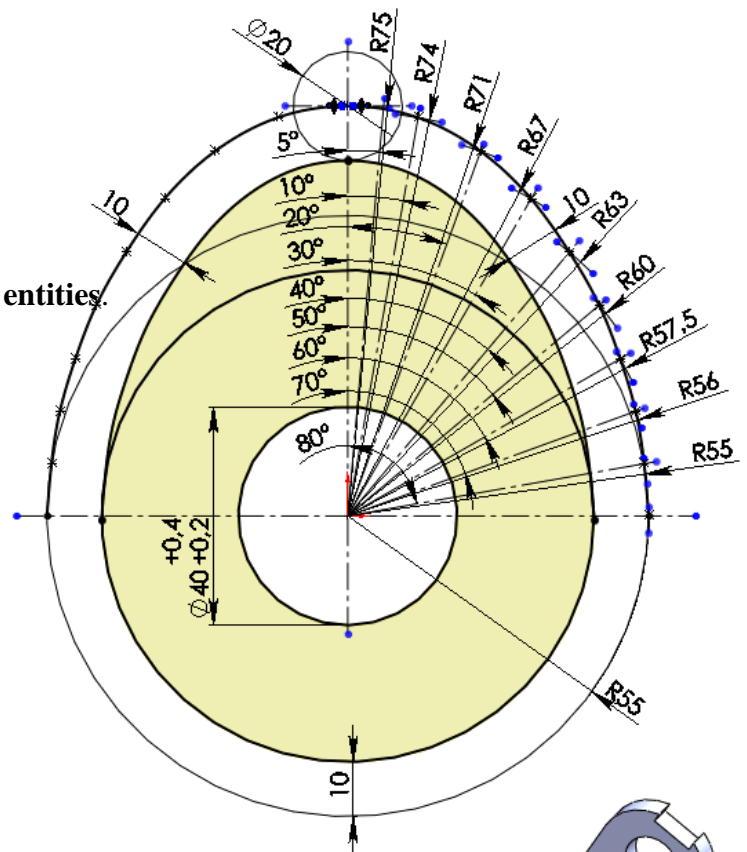
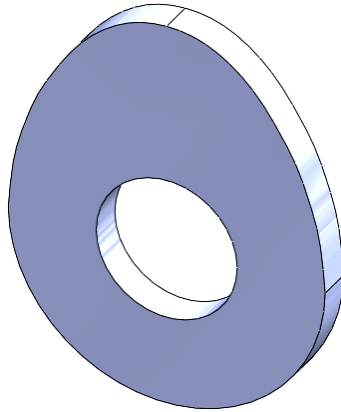


### SYMETRICAL CAM

Dimensions of radiuses in particular points are connected with theoretical profile of the cam, - to relative lane which is copied by the centre of scanning pulley. There are these entities used: circle, straight line, central arc, point and "splajn".

For finishing the sketch choose the tool **Indent the entities**.

Cam thickness is 12 mm.



### THREE-LIMBS SEGMENT

Draw the sketch from closed outlines by the model.

Slide the sketch symetrically 3 mm.

**Condition** – reflect particular segments **around the axis**.

