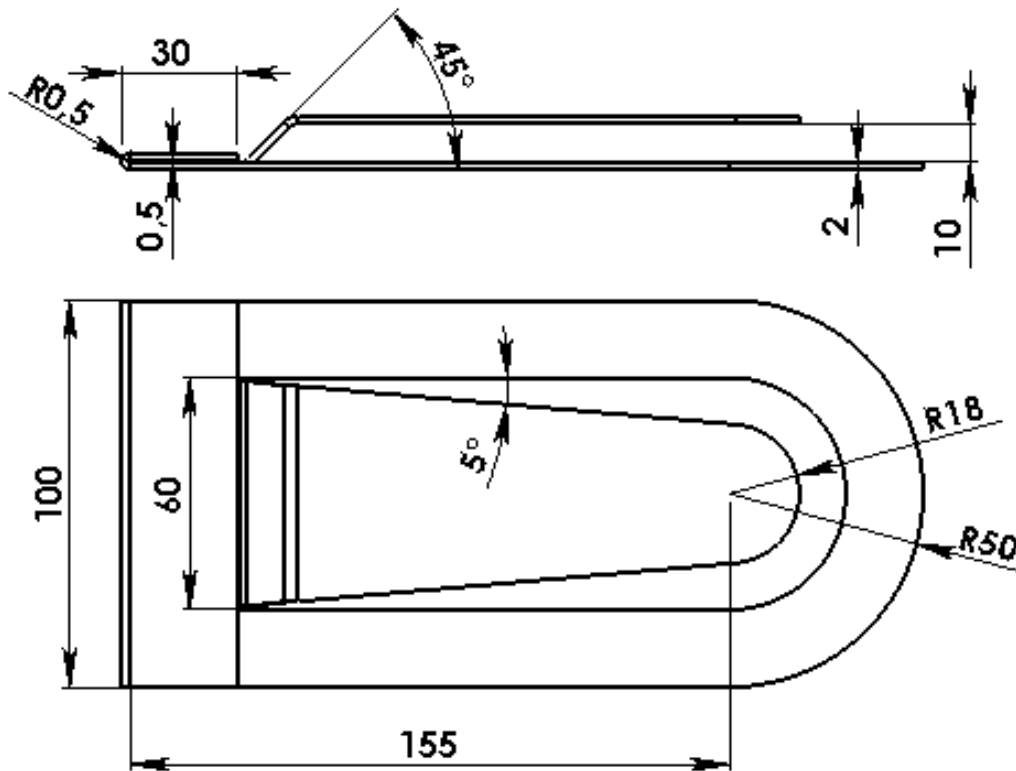


CREATING SHEET PARTS – EDGING AND TURNING (DEVIATION)

Model the sheet part **HOOK** by the pattern and develop its shape. Draw design of sheet part according to CSN.



Help:

If you find easier way of produce the part, you will not keep described way.

