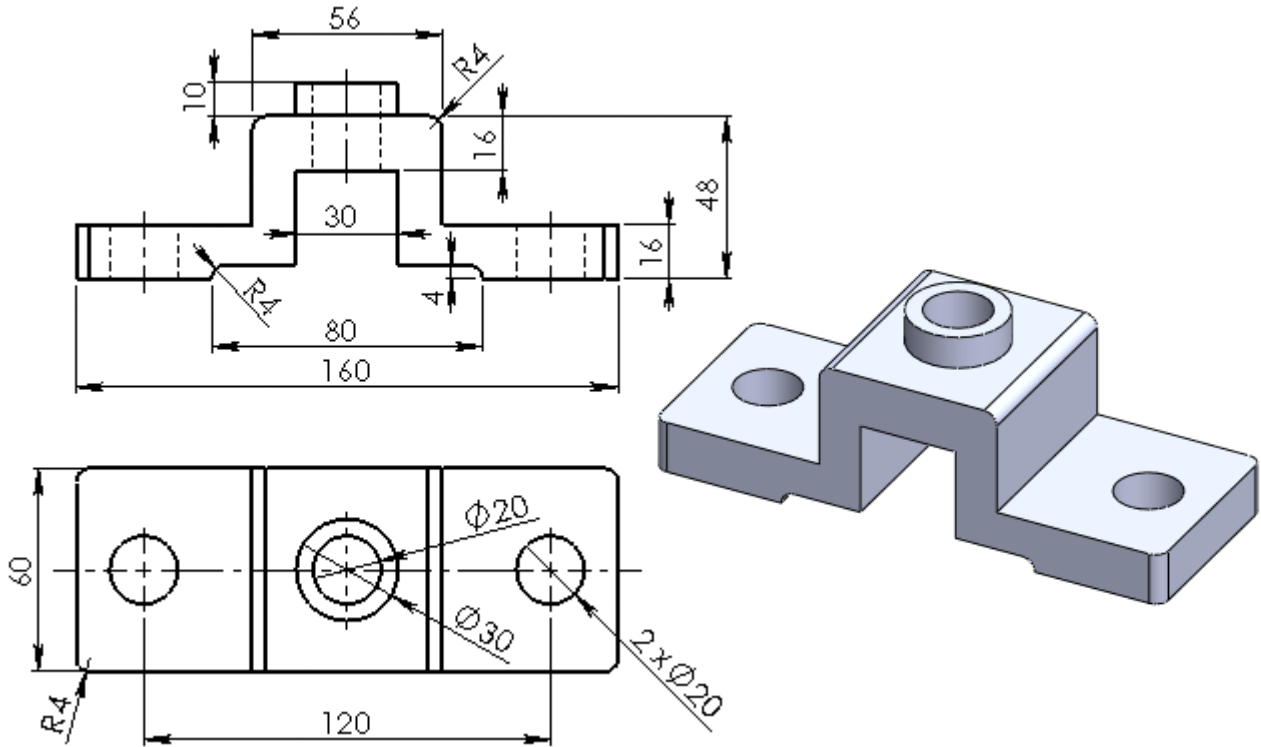




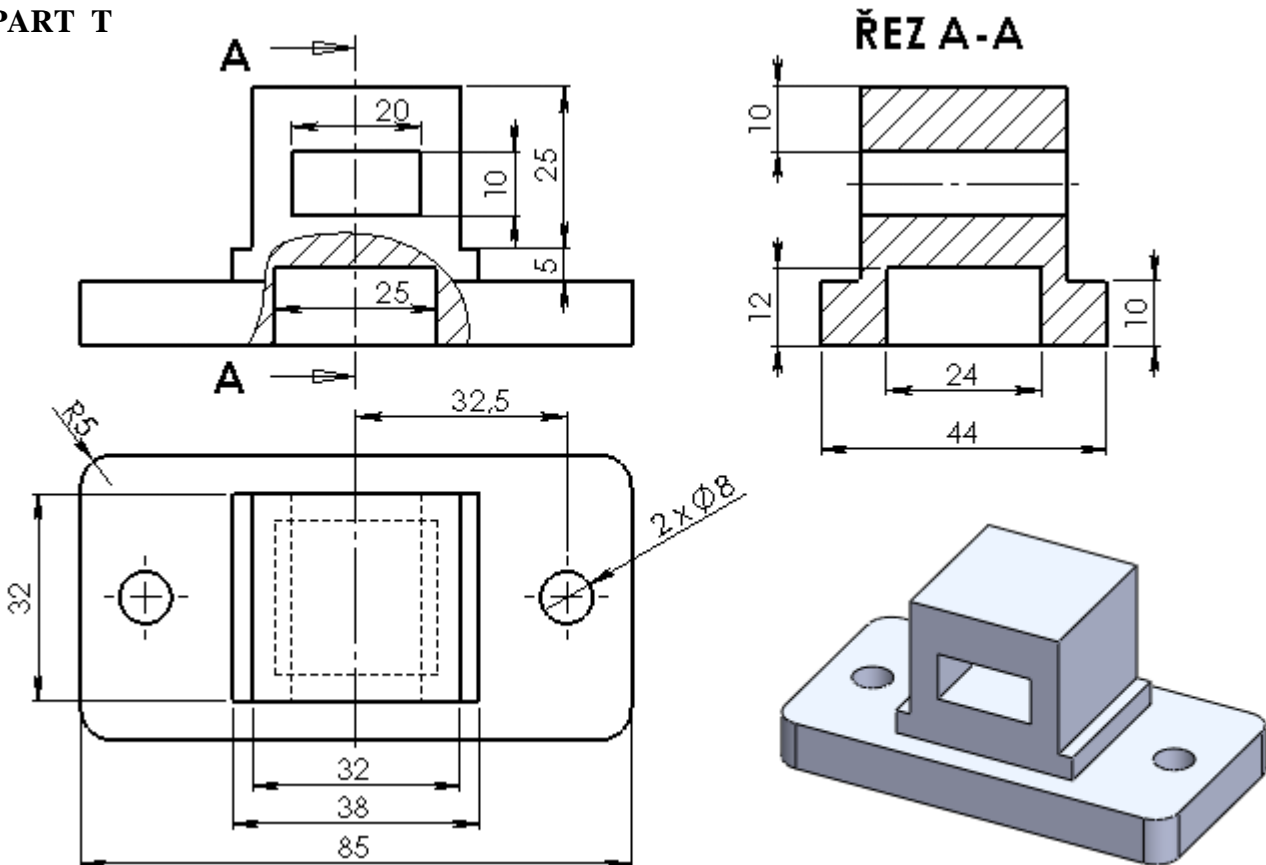
**Task:**

Make these parts by the models. Create them step by step, use elements adding of putting out and taking of putting out. Observe orientation in correct plains.

**SYMETRICAL PART**

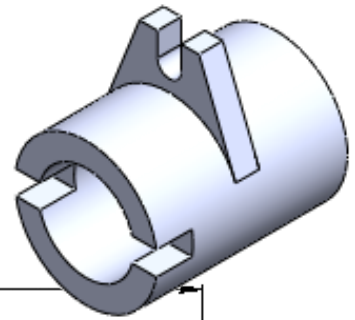
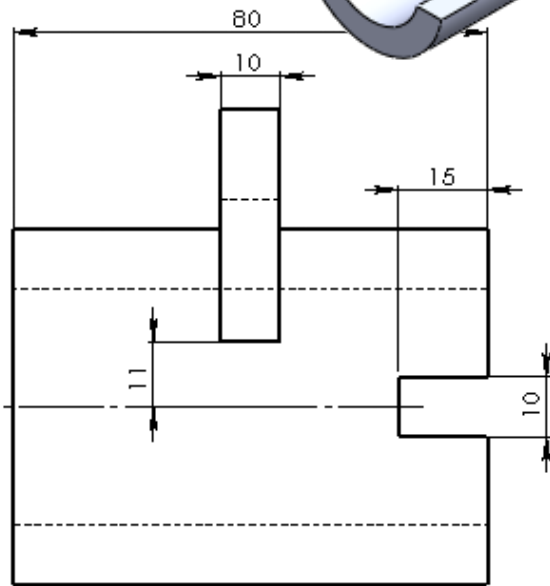
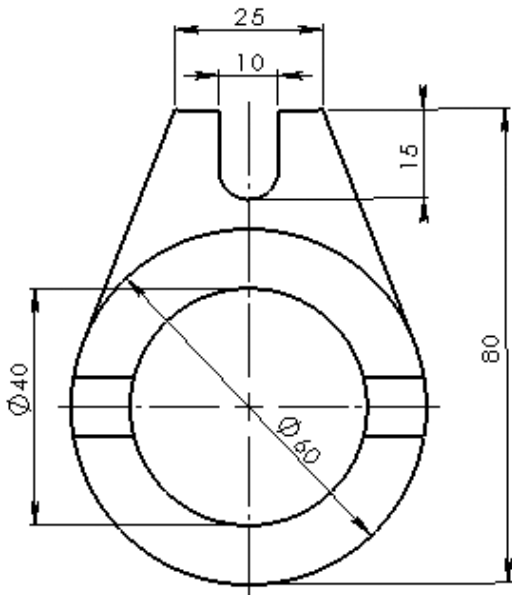


**PART T**





SLEEVE



TRIANGULAR

