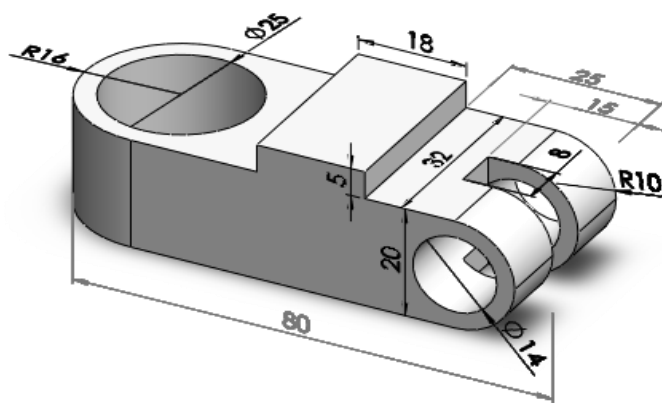


CREATING 3D MODEL – STEPWISE



Task:

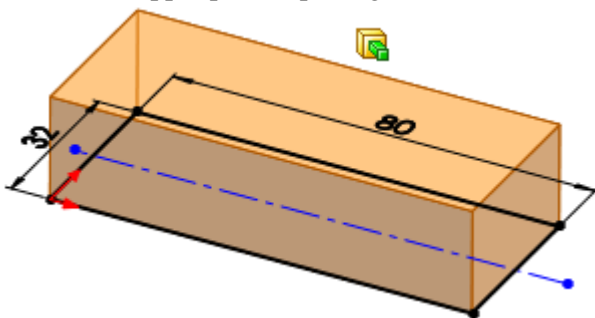
Model the part:



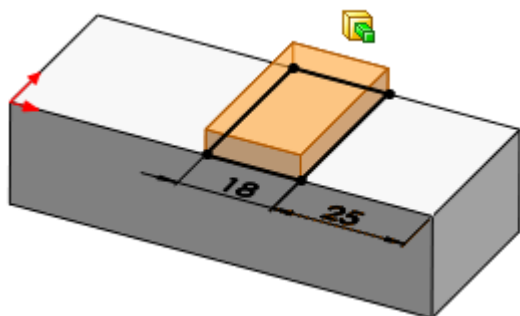
- ↕ Počátek
- + Přidat vysunutím1
- + Přidat vysunutím2
- + Odebrat vysunutím1
- Zaoblit1
- Zaoblit2
- + Odebrat vysunutím2
- + Odebrat vysunutím3

Technical procedure:

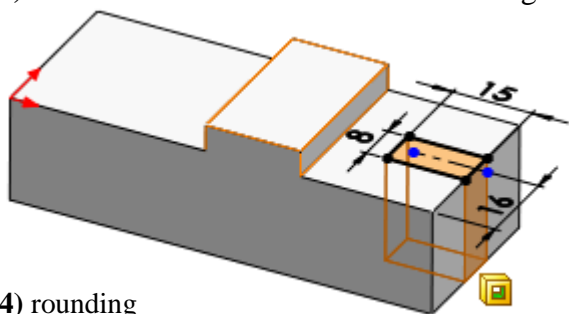
1) sketch in upper plain + putting out



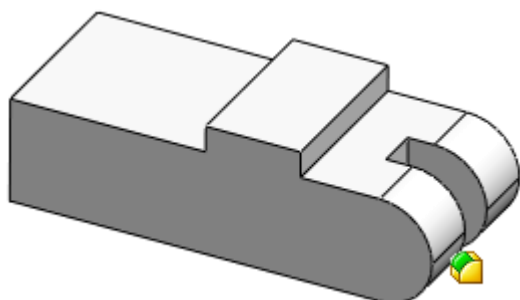
2) sketch on the surface of model + putting out



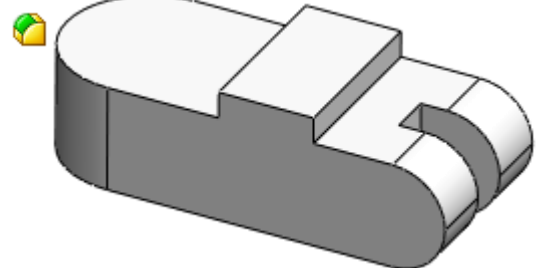
3) sketch on the surface of model + taking off



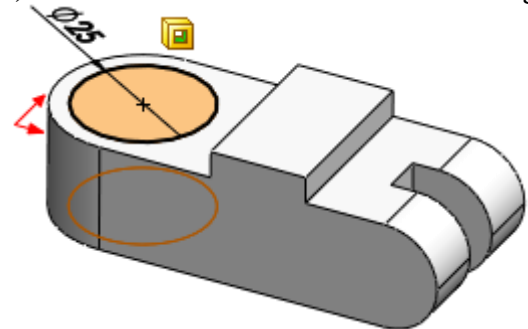
4) rounding



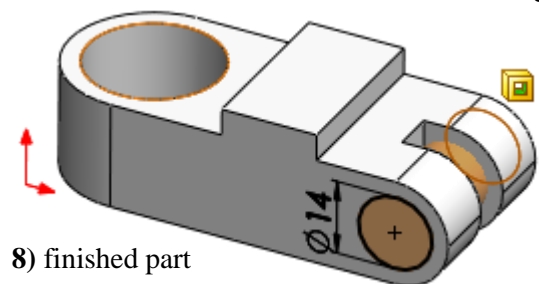
5) rounding



6) sketch on the surface of model + taking off



7) sketch on the surface of model + taking off



8) finished part

