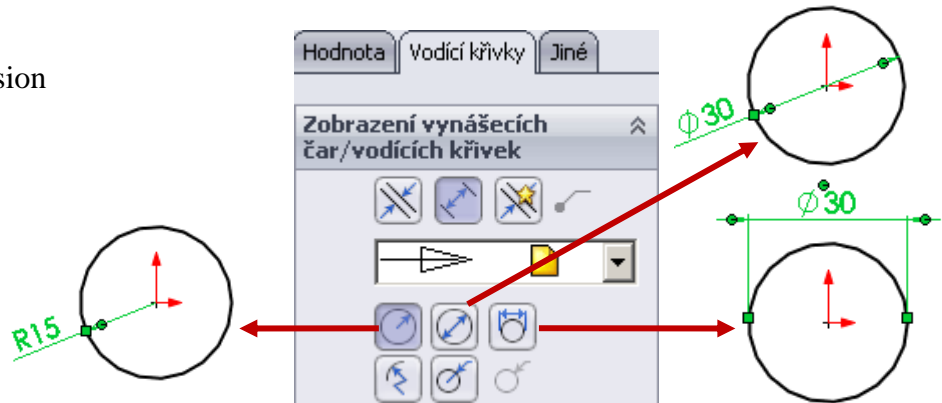




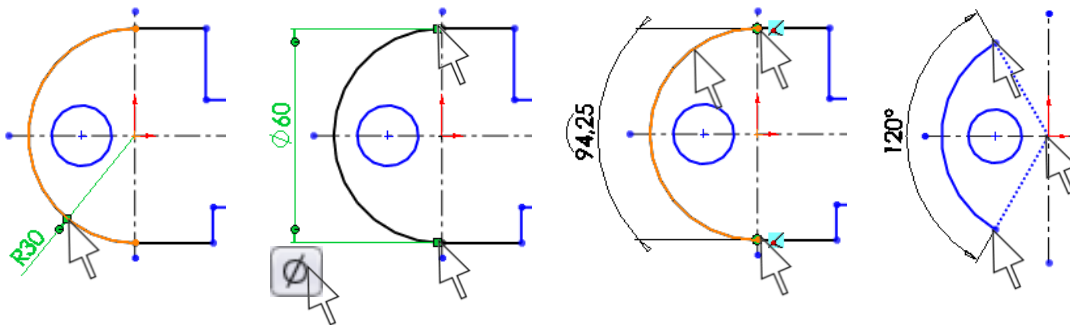
CIRCLES

Try to use changing dimension



ARCES

If you check the arc you will automatically dimension radius .
 You will dimension the arc size if you check arc and both end points.
 You will add angle dimension, if you check central point and the end points.



SMALL HOOK FROM CIRCLES

Make a part form circles and appropriate linkages.
 The thickness of the model is 6 mm.

